

mogogo



2024 CATALOG

Canvas

SHELVING SYSTEM

DISTRIBUTED BY:





BASE UNIT WITH CASTERS | HANGER BAR | ANGLED SHELF | CRATE
BOTTLE HOLDER | SHELF | SHELF RETAINING BAR | SHELF WITH BORDER | DIVIDER

INDEX

- 4 About Mogogo
- 8 About the Canvas Collection
- 9 Materials
- 10 How It Works
- 12 Details
- 14 Single unit - basic shelves
- 18 Single unit - mixed add-ons
- 22 Single unit - crates and more
- 28 Multi unit configurations
- 34 System breakdown
- 36 Add-ons
- 40 Express your shelf



A MODULAR F&B
FURNITURE BRAND

BORN FROM A PASSION FOR **STYLE & GASTRONOMY**



Mogogo is led by designers and chefs that are aiming to introduce innovative, luxurious, and highly functional equipment to foodservice professionals.



LINENLESS



MODULAR



MOBILE



SUSTAINABLE



ADD ONS



THE BAR IS OPEN

BACK BAR UNIT MGCCAN05DCXW

MIXOLOGY SERVICE CART MGCRNX03MSXX

ROUND POLO DISPLAY TABLE MGCPPR01MBXX

PRO BAR STATION MGCMLC05GSXW



ABOUT THE CANVAS COLLECTION

The Canvas Collection is an innovative shelving system for the hospitality sector, acting as a blank page allowing professionals to accomplish their creative vision. The collection is ideal as a back bar or for showcasing food and beverages and related products.

It combines function with uncluttered aesthetics to create this versatile range of shelving, taking into consideration the unique and challenging requirements of foodservice.



MATERIALS

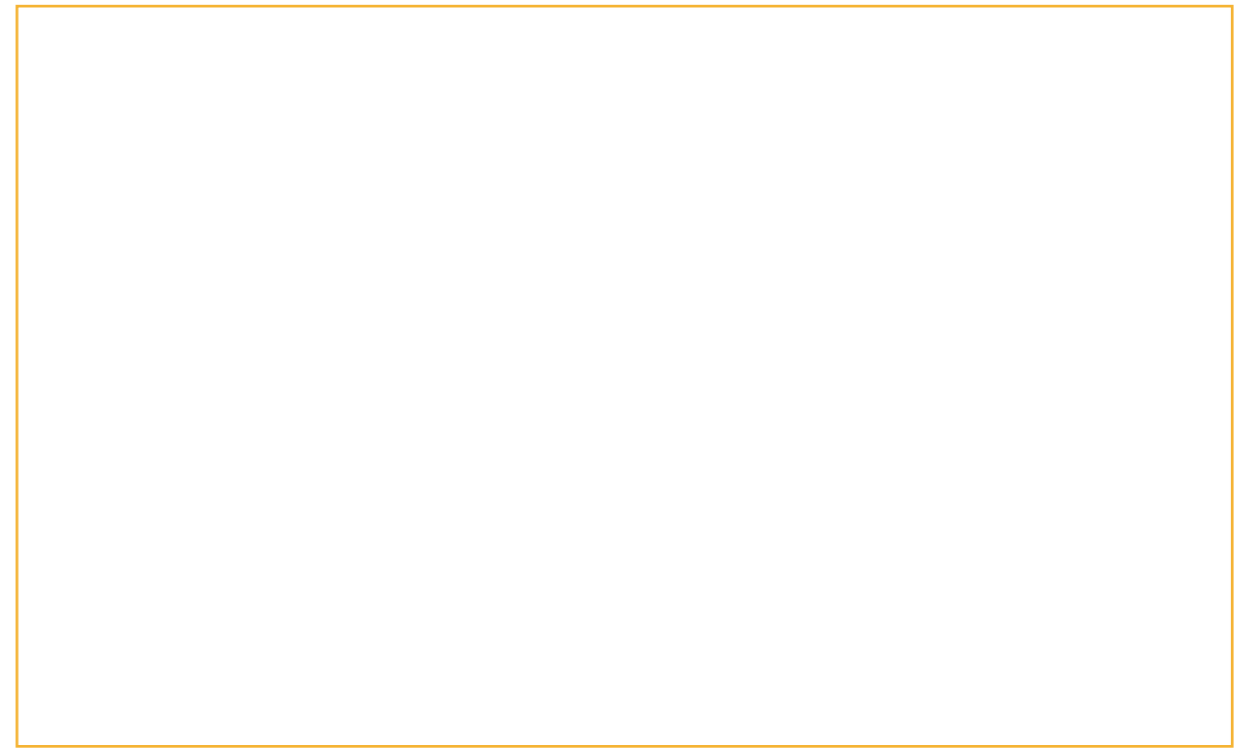
The usage of ecological materials is part of a global movement that aims to convey the message that luxury and sustainability go together. The bamboo frame is lightweight and highly structural, joined by decorative metal features to create a fine balance between traditional woodcraft and modern design.

Natural horizontal bamboo | Sandblasted Stainless Steel. NATURAL

Dark brown stained bamboo | Sandblasted Copper-plated Stainless Steel. DARK LUX



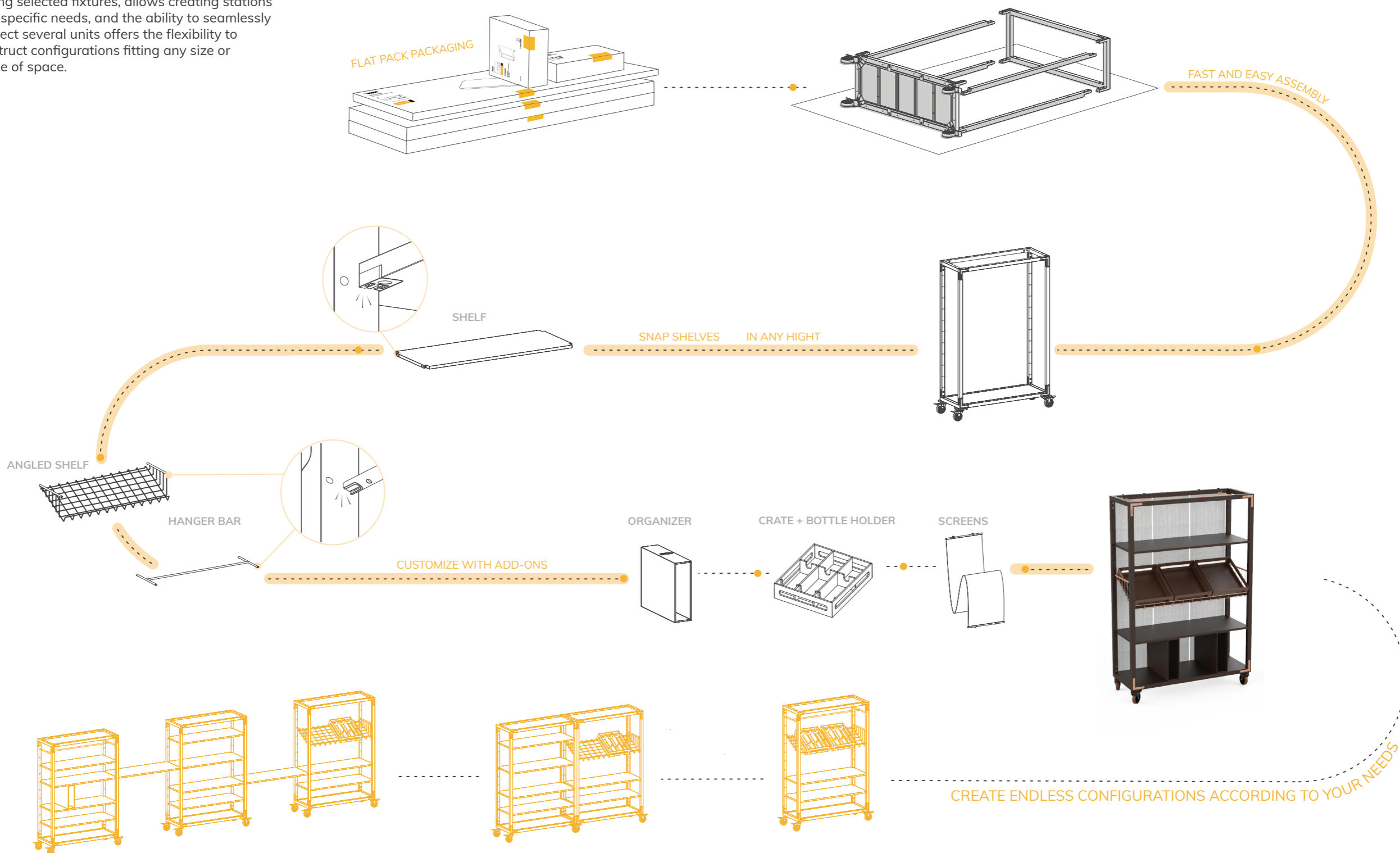
Watch our video to learn more about
the Canvas collection



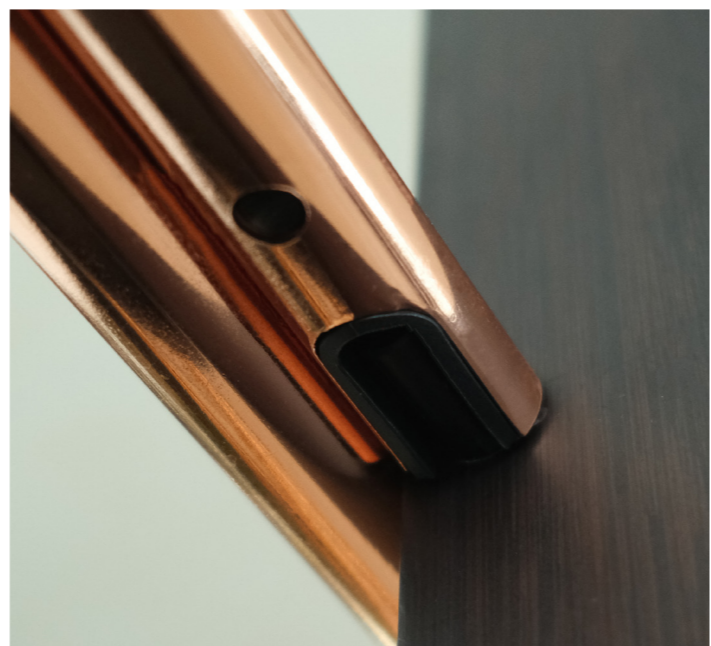
See more videos by Mogogo here

HOW IT WORKS

Starting with an unfilled Canvas structure then adding selected fixtures, allows creating stations with specific needs, and the ability to seamlessly connect several units offers the flexibility to construct configurations fitting any size or shape of space.



DETAILS



**EXPRESS
YOUR
SHELF**



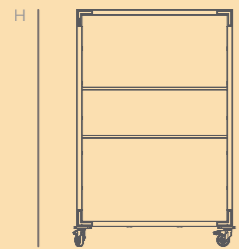
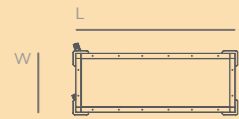
BUSSING STATION MGCCAN14NSXW



SINGLE UNIT - BASIC SHELVES

Organization and accessibility foundation stones for a functional station. Whether it is used front of house or behind the scenes, several shelves can be set at different heights in a matter of seconds creating a practical and stylish tool.

The unit can be covered partially or completely with the use of easy to install screens.

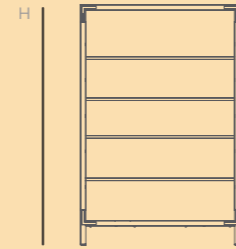
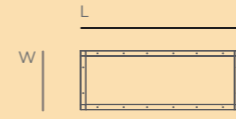


L48½" W18" H73½"
L122.5cm W46cm H186cm



TWO SHELF UNIT

- NATURAL | CASTERS MGCCAN17NSXW
- NATURAL | LEGS MGCCAN17NSXF
- DARK-LUX | CASTERS MGCCAN17DCXW
- DARK-LUX | LEGS MGCCAN17DCXF

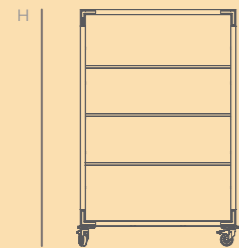
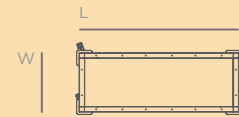


L48½" W18" H73½"
L122.5cm W46cm H186cm



FOUR SHELF UNIT

- NATURAL | CASTERS MGCCAN18NSXW
- NATURAL | LEGS MGCCAN18NSXF
- DARK-LUX | CASTERS MGCCAN18DCXW
- DARK-LUX | LEGS MGCCAN18DCXF

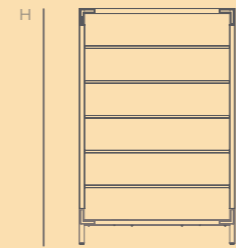
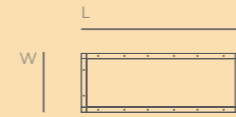


L48½" W18" H73½"
L122.5cm W46cm H186cm



THREE SHELF UNIT

- NATURAL | CASTERS MGCCAN14NSXW
- NATURAL | LEGS MGCCAN14NSXF
- DARK-LUX | CASTERS MGCCAN14DCXW
- DARK-LUX | LEGS MGCCAN14DCXF



L48½" W18" H73½"
L122.5cm W46cm H186cm



FIVE SHELF UNIT

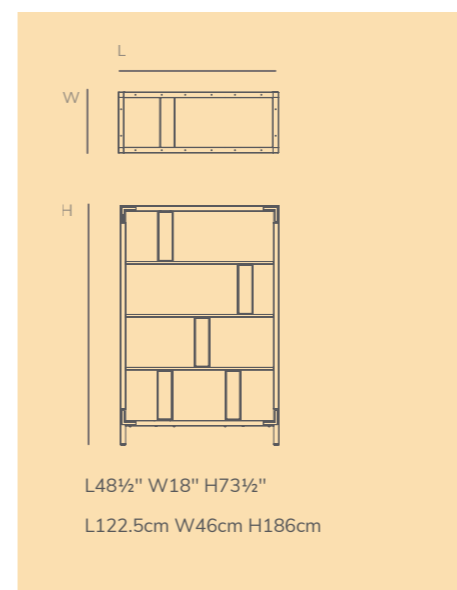
- NATURAL | CASTERS MGCCAN09NSXW
- NATURAL | LEGS MGCCAN09NSXF
- DARK-LUX | CASTERS MGCCAN09DCXW
- DARK-LUX | LEGS MGCCAN09DCXF

SINGLE UNIT - MIXED ADD-ONS

Mixing and matching is as simple as ever, and while installing the add-ons is user-friendly, the outcome is sophisticated and versatile. The shelf selection and designated add-ons are intended to offer you the freedom of expression when presenting food and beverage or your decoration of choice.



ROOM DIVIDER MGCCAN08DCXW



ROOM DIVIDER

This Room Divider creates a sophisticated atmosphere and lining up multiple units can create division and a seamless appearance to any space. The shelf rail allows the dividers to be moved easily while in place to achieve a customized solution for your specific needs.



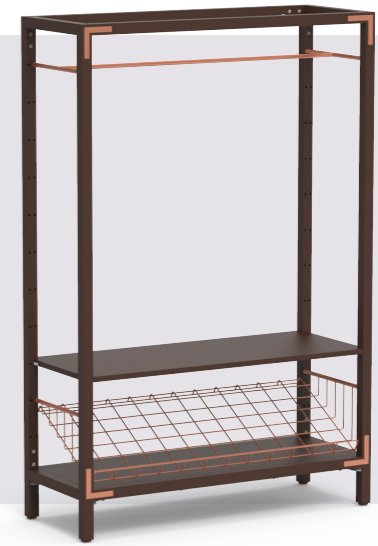
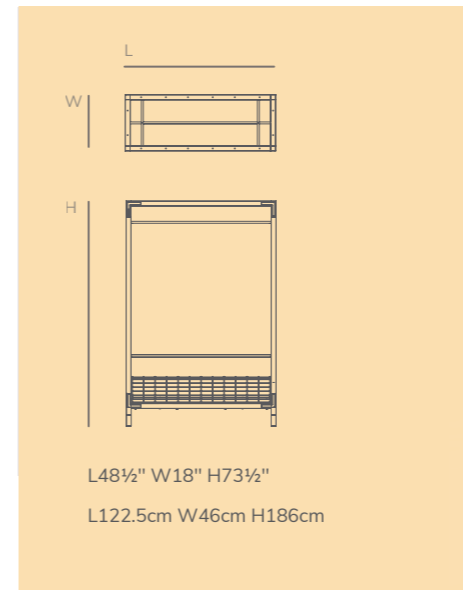
NATURAL | CASTERS.....MGCCAN08NSXW
 ■ NATURAL | LEGS.....MGCCAN08NSXF
 DARK-LUX | CASTERS.....MGCCAN08DCXW
 DARK-LUX | LEGS.....MGCCAN08DCXF



DESSERT STATION

This unit aims to focus attention on selected food items, such as exquisite "petit fours" or other food creations you wish to treat and showcase as jewels. It comes with two shelves and a slick sign to let your guests know what all the fuss is about.

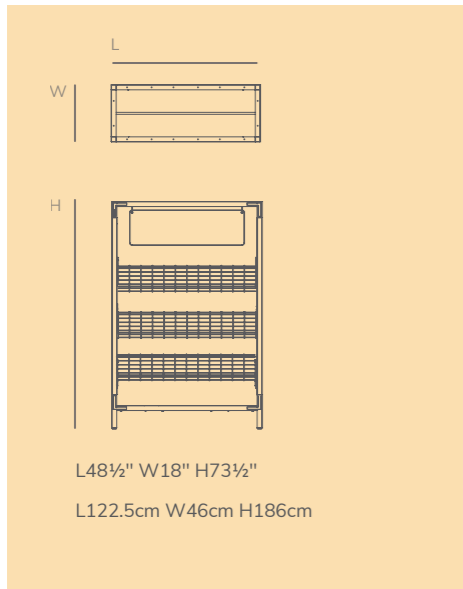
- **NATURAL | CASTERS**.....MGCCAN15NSXW
- NATURAL | LEGS.....MGCCAN15NSXF
- DARK-LUX | CASTERS.....MGCCAN15DCXW
- DARK-LUX | LEGS.....MGCCAN15DCXF



COAT RACK

The Canvas system function can be stretched beyond the common usage to other hospitality areas, such as this portable coat rack station and many others, helping to overcome your daily challenges.

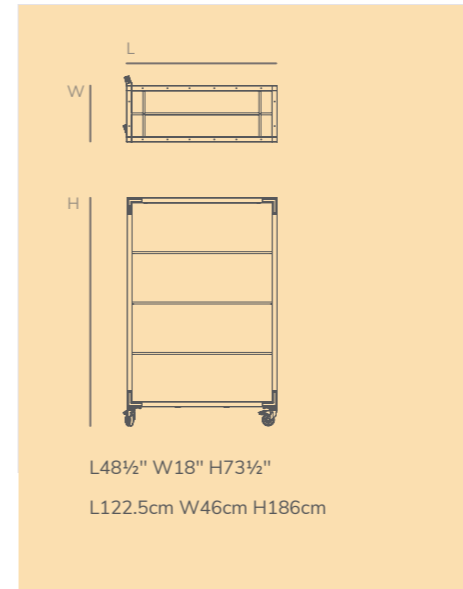
- NATURAL | CASTERS.....MGCCAN11NSXW
- NATURAL | LEGS.....MGCCAN11NSXF
- DARK-LUX | CASTERS.....MGCCAN11DCXW
- **DARK-LUX | LEGS**.....MGCCAN11DCXF



ANGLED SHELF SIGNAGE UNIT

This unit takes food presentation seriously! The angled stainless steel wire shelf offers food and related ingredients to be presented in an optimal style, and the hanging blackboard sign allows you to compose a unique story time after time.

- NATURAL | CASTERS.....MGCCAN16NSXW
- **NATURAL | LEGS**.....MGCCAN16NSXF
- DARK-LUX | CASTERS.....MGCCAN16DCXW
- DARK-LUX | LEGS.....MGCCAN16DCXF



HANGING UNIT

A clean and mentalistic hanging station offers to use the Canvas in exacting ways and discover new ideas to wow your guests, such as an indoor vertical herb garden or other ideas that you will come up with.

- NATURAL | CASTERS.....MGCCAN10NSXW
- NATURAL | LEGS.....MGCCAN10NSXF
- **DARK-LUX | CASTERS**.....MGCCAN10DCXW
- DARK-LUX | LEGS.....MGCCAN10DCXF

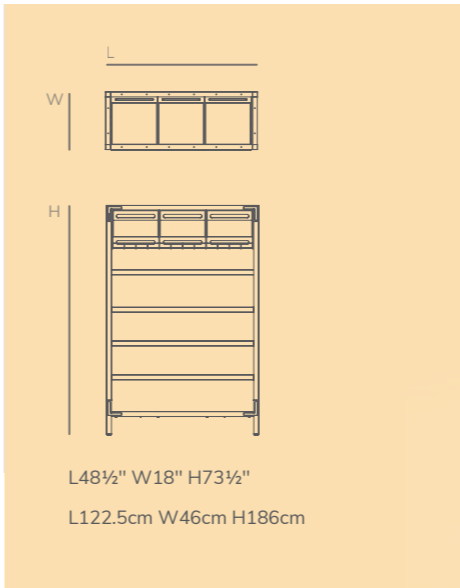
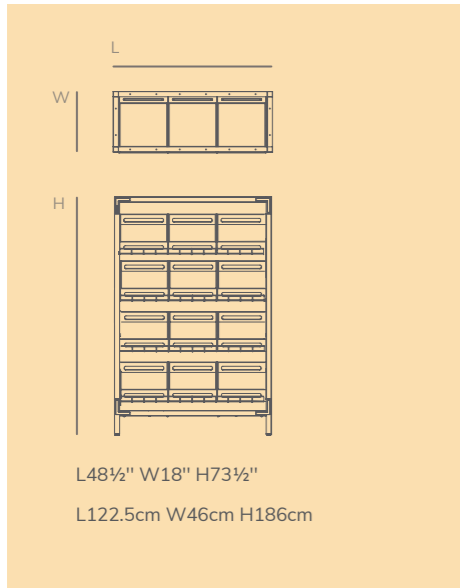


GRAB AND GO SIGNAGE UNIT MGCCAN03NSXW



SINGLE UNIT - CRATES AND MORE

This group of configurations is defined by the crates they hold, allowing the operator to store and display most anything they wish. Combined with shelving and signage, they can perform many functions in a variety of locations while offering versatility and beauty.



ANGLED SHELF UNIT

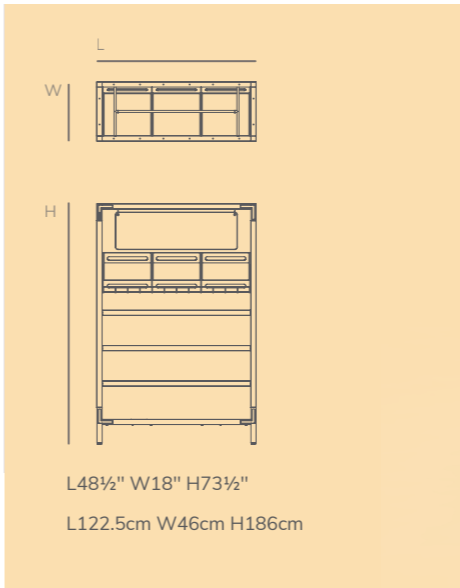
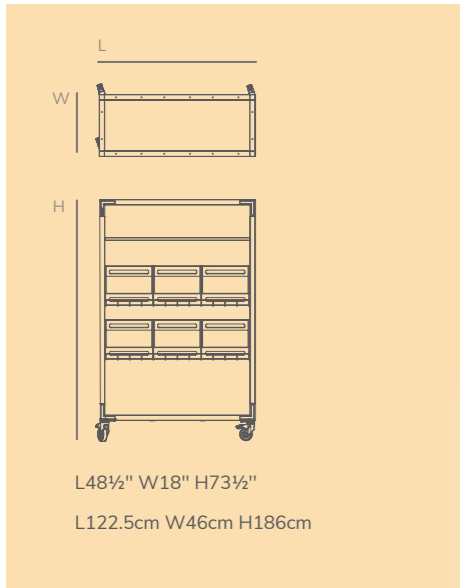
The wooden display crates with fresh vegetables, breads, combined with the olive oil bottles, bags of flour and other quality ingredients, are sure to tell your guest that a wonderful dish is on the way. Ultimately, completing the sensory experience that is so essential in hospitality!

- **NATURAL | CASTERS**.....MGCCAN12NSXW
- NATURAL | LEGS.....MGCCAN12NSXF
- DARK-LUX | CASTERS**.....MGCCAN12DCXW
- DARK-LUX | LEGS.....MGCCAN12DCXF

GRAB AND GO UNIT

Snacks, fruit and a variety of goods your guests desire to Grab and Go, will be displayed perfectly on this Canvas configuration. The angled shelf will improve visibility and create a complete experience.

- NATURAL | CASTERS.....MGCCAN02NSXW
- NATURAL | LEGS.....MGCCAN02NSXF
- DARK-LUX | CASTERS.....MGCCAN02DCXW
- **DARK-LUX | LEGS**.....MGCCAN02DCXF



FARM TO TABLE

What is more appetizing than knowing that what you are about to eat is made from farm fresh ingredients. This Farm to Table Station was developed with this in mind and provides you a variety of display solutions that can effortlessly be customized according to the menu.

- NATURAL | CASTERS.....MGCCAN04NSXW
- NATURAL | LEGS.....MGCCAN04NSXF
- **DARK-LUX | CASTERS**.....MGCCAN04DCXW
- DARK-LUX | LEGS.....MGCCAN04DCXF

GRAB AND GO SIGNAGE UNIT

Like the Grab and Go unit above, it has the angled shelf, but also includes a chalkboard to make it very clear to your guests that tasty treats are available.

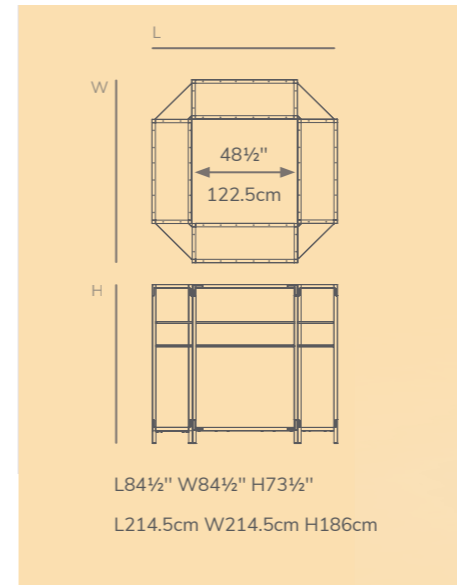
- NATURAL | CASTERS.....MGCCAN03NSXW
- **NATURAL | LEGS**.....MGCCAN03NSXF
- DARK-LUX | CASTERS.....MGCCAN03DCXW
- DARK-LUX | LEGS.....MGCCAN03DCXF



FARM TO TABLE MGCCAN04DCXW
THREE SHELF UNIT MGCCAN14NSXW
GRAB AND GO SIGNAGE UNIT MGCCAN03NSXW



CENTER STAGE DISPLAY MGCCAN19NSXW
 (Shown with optional Golden-Brown screens)



CENTER STAGE DISPLAY

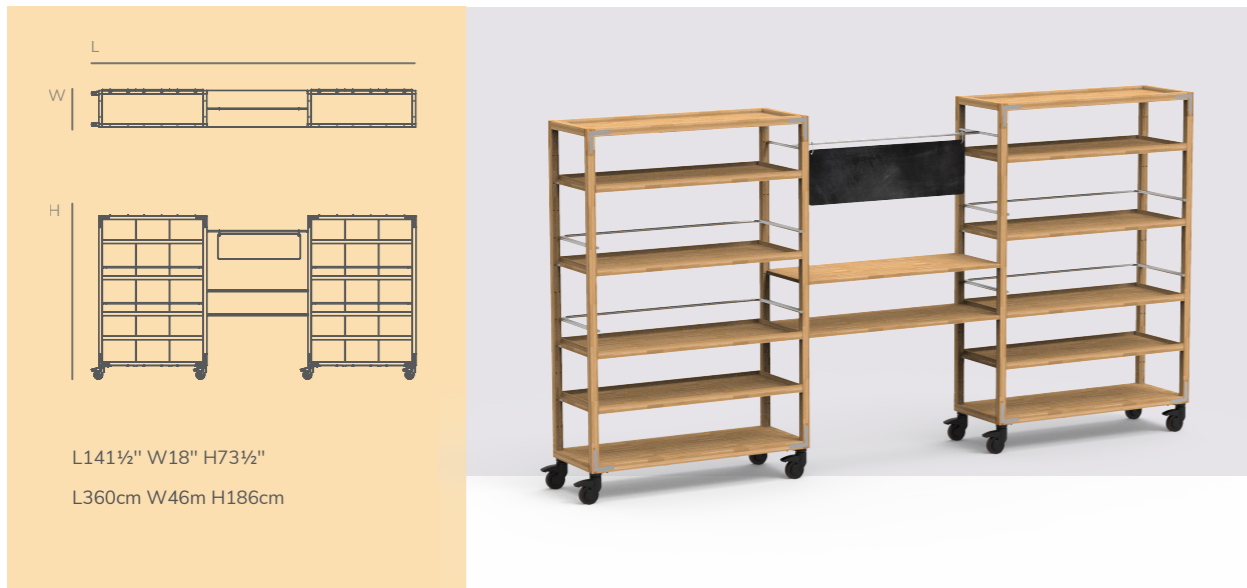
Whether you're trying to make a statement in the middle of your room or wanting to utilize the space around that awkward pillar, this station will do both. The ability to connect the Canvas shelving units with the corner shelf connectors adds a dimension the traditional buffet furniture lacks and the results can be functional and stunning.

- NATURAL | CASTERS.....MGCCAN19NSXW
- NATURAL | LEGS.....MGCCAN19NSXF
- DARK-LUX | CASTERS.....MGCCAN19DCXW
- DARK-LUX | LEGS.....MGCCAN19DCXF

MULTI UNIT CONFIGURATIONS

If your space allows the use of several units, the addition of the unit connectors, straight shelves and corner shelves, is a cost effective way to add additional display space. In addition, it creates straight or angled structures that act as living walls, allowing you to express your artistic talents.





BACK BAR UNIT

A luxurious back bar tells a story and lets your guest know that they have arrived at their destination and will be treated accordingly. Whether they seek a revitalizing cocktail or a glass of wine, the look and feel you create will set the tone.

■ NATURAL CASTERS	MGCCAN05NSXW
NATURAL LEGS	MGCCAN05NSXF
■ DARK-LUX CASTERS	MGCCAN05DCXW
DARK-LUX LEGS	MGCCAN05DCXF



COFFEE LOUNGE

Double espresso, butter Croissant, and the newspaper of the day! No matter where you wake up, it's a great way to start another busy day. The flexibility of the Canvas Collection can turn your pleasant but hard to utilize space into an attractive area that gives a look and feel of a neighborhood café.

NATURAL CASTERS	MGCCAN07NSXW
NATURAL LEGS	MGCCAN07NSXF
DARK-LUX CASTERS	MGCCAN07DCXW
■ DARK-LUX LEGS	MGCCAN07DCXF



WINE DISPLAY

At the end of the day, a glass of red wine, cheese, and snacks can turn into a worthy memory. This elegant configuration allows for the serving of wine and related foods in a way that is sure to impress. Each unit comes with casters allowing for easy mobility when moving from one event to another.

NATURAL CASTERS	MGCCAN06NSXW
NATURAL LEGS	MGCCAN06NSXF
■ DARK-LUX CASTERS	MGCCAN06DCXW
DARK-LUX LEGS	MGCCAN06DCXF



SELF SERVICE

Juice boxes or sweets? What decorations will enhance the experience to create something modern and minimalist, or a warmer and more country style. The self service configuration gives you the tools to express your desired concept no matter what the occasion is.

■ NATURAL CASTERS	MGCCAN01NSXW
NATURAL LEGS	MGCCAN01NSXF
DARK-LUX CASTERS	MGCCAN01DCXW
DARK-LUX LEGS	MGCCAN01DCXF

CX	1487	1	161 - 243	CHECK-IN
ULC	8655	2	245 - 247	CHECK-IN
OS	0708	2	204 - 205	CHECK-IN
CZ	7122	2	KIOSK	
DY	3581	2	KIOSK	
EI	0645	1		
EK	0140	1	171 - 178	CHECK-IN



COFFEE LOUNGE MGCCAN07DCXW
 (shown with optional Charcoal-Black Screens)

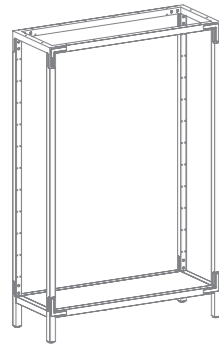


MGCCAN04DCXW

SYSTEM BREAKDOWN

Starting with a blank rectangular structure (on casters or legs) acting as an empty page that awaits your ideas and needs to be explored. Our Canvas Shelving System was born from the basic idea that your F&B Furniture should adapt to your ever-varying needs during different functions. It allows you to pick and choose basic elements such as shelves with or without borders, hanging bars, signs, organizers, and more.

BUILD YOUR OWN UNITS



EMPTY UNIT WITH LEGS
L48½" W18" H73½"
L122.5cm W46cm H186cm



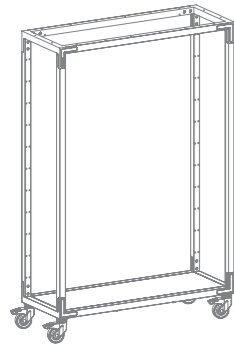
Natural horizontal bamboo sandblasted stainless steel

MGCCAN13NSXF



Dark brown stained bamboo Sandblasted Copper plating

MGCCAN13DCXF

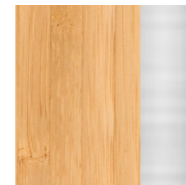


EMPTY UNIT WITH CASTERS
L48½" W18" H73½"
L122.5cm W46cm H186cm

MGCCAN13NSXW

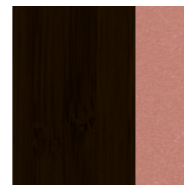
MGCCAN13DCXW

ADD-ONS SHELVES



Natural horizontal bamboo sandblasted stainless steel

MGSCANBM0201



Dark brown stained bamboo Sandblasted Copper plating

MGSCANDB0201



SHELF
L46½" W18" H0.8"
L118.5cm W46cm H2cm



SHELF WITH BORDER
L46½" W18" H1½"
L118.5cm W46cm H4cm

MGSCANBM0701

MGSCANDB0701



TOP FRAME SHELF
L45" W15" H0.8"
L114.5cm W38cm H2cm

MGSCANBM0601

MGSCANDB0601

ADD-ONS



Natural horizontal bamboo sandblasted stainless steel

MGSCANSS0101



Dark brown stained bamboo Sandblasted Copper plating

MGSCANSC0101



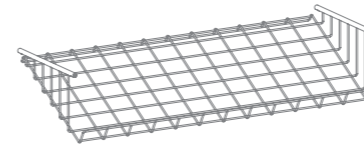
HANGER BAR
Comes with 5 Hooks
L46½" W15" H½"
L118cm W38cm H1.6cm



TOP FRAME HANGER BAR
Comes with 5 Hooks
L38" W16½" H½"
L96cm W41.5cm H1.5cm

MGSCANSS0201

MGSCANSC0201



ANGLED SHELF
Can fit up to 3 crates
L46½" W18" H9½"
L118cm W46cm H24cm

MGSCANSS0301

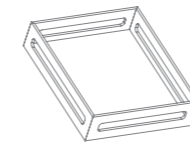
MGSCANSC0301



SHELF RETAINING BAR
L46½" W18" H0.6"
L118cm W46cm H1.6cm

MGSCANSS0401

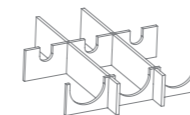
MGSCANSC0401



CRATE
L17½" W14.½" H4"
L44cm W37.5cm H10cm

MGSCANBM0301

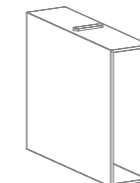
MGSCANDB0301



BOTTLE HOLDER
fits Crate
L16½" W14" H3½"
L42.5cm W36cm H8.5cm

MGSCANBM0401

MGSCANDB0401

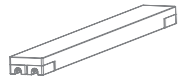


ORGANIZER
L18" W4½" H15½"
L46cm W12cm H39cm

MGSCANBM0501

MGSCANDB0501

ADD-ONS

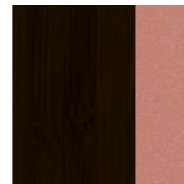


UNIT CONNECTORS
To connect two units | Set of 2
L15" W1.5" H0.8"
L38cm W4cm H2cm



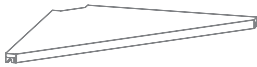
Natural horizontal
bamboo sandblasted
stainless steel

MGSCANBM0901



Dark brown stained
bamboo Sandblasted
Copper plating

MGSCANDB0901

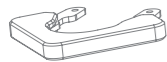


CORNER SHELF CONNECTOR
To connect two units in 90° | Set of 2
L18" W18" H0.8"
L46cm W46cm H2cm

MGSCANBM1101

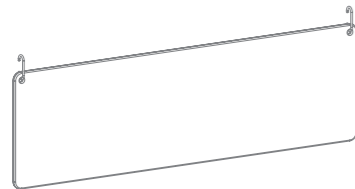
MGSCANDB1101

MISCELLANEOUS ADD-ONS



BUMPERS
set of 4
L5" W5" H0.6"
L12cm W12cm H1.6cm

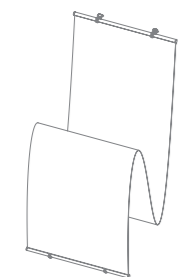
MGSCANSM0801



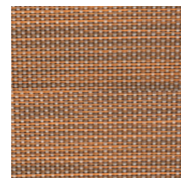
SIGN
Comes with 2 Hooks
L37" W11½" H½"
L94cm W29cm H1cm

MGSCANSM0901

SCREENS

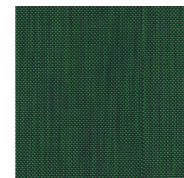


EASY TO INSTALL SCREENS
Set of 5- Available in various colors
L67" W15"
L170cm W38cm



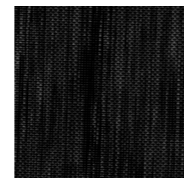
Golden-Brown

MGSCANPV0201



Jungle-Green

MGSCANGP0101



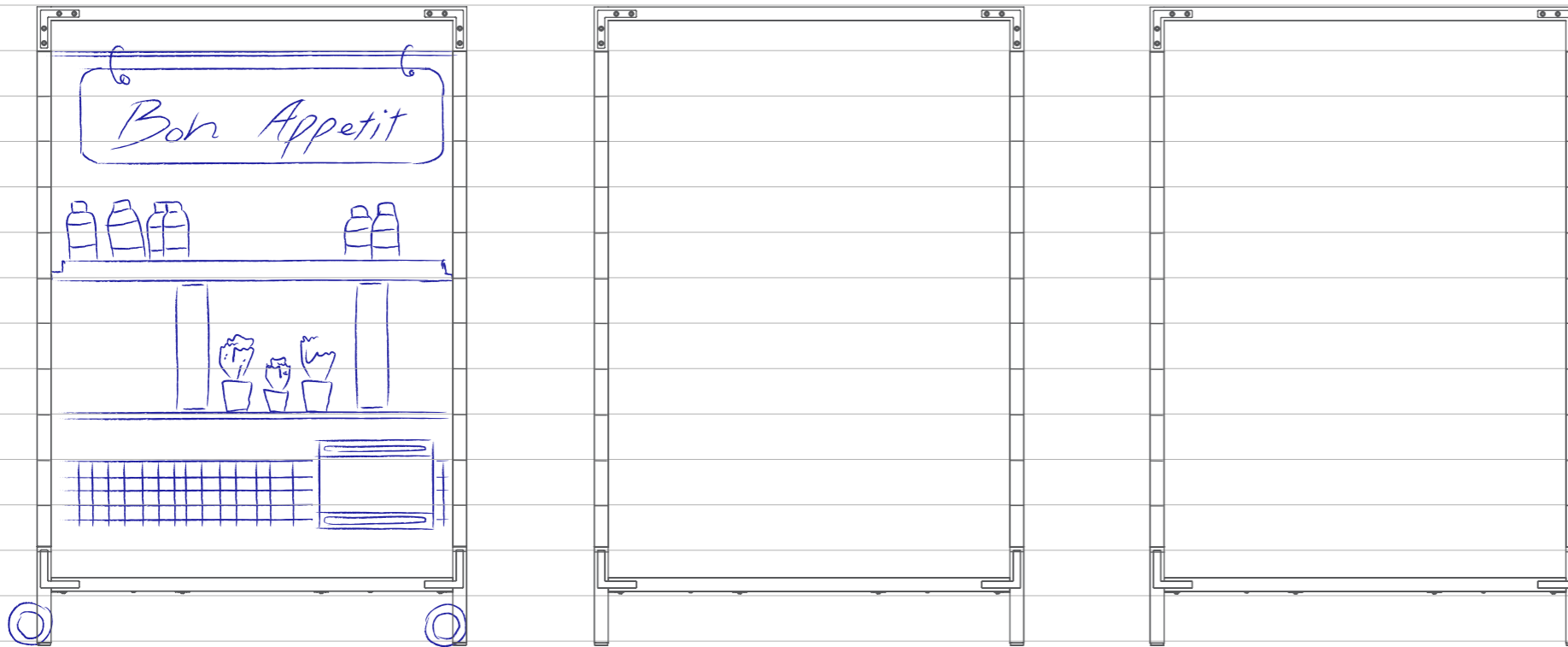
Charcoal-Black

MGSCANPV0101

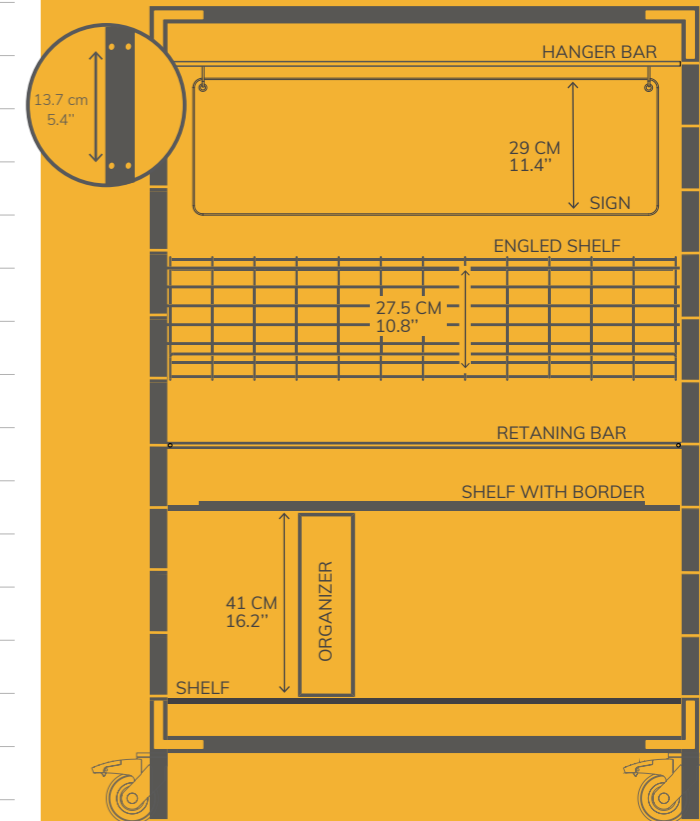
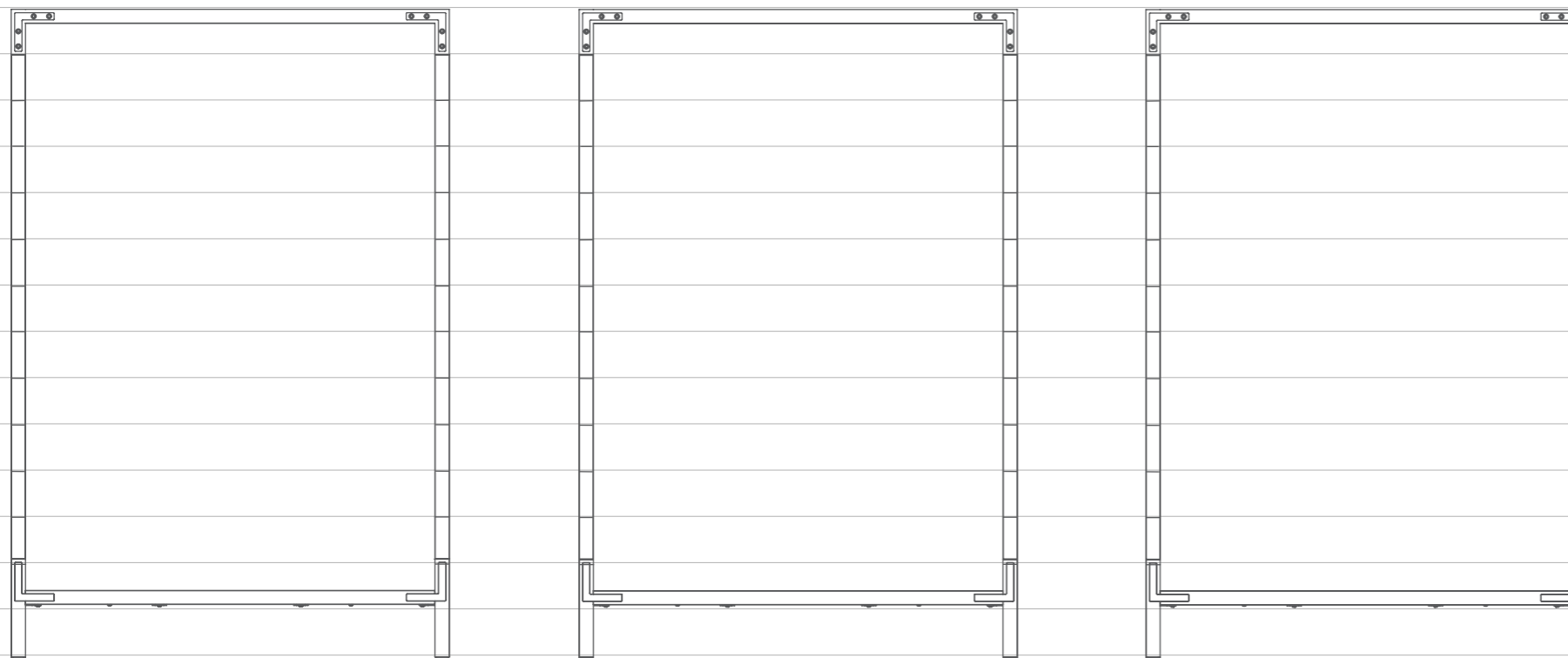


COAT RACK MGCCAN11NSXW

Sketch your own Canvas configuration by choosing from a variety of shelves and add-ons using the 2D drawing to explore options.



- TOP FRAME SHELF 
- SHELF 
- ANGLED SHELF 
- SHELF WITH BORDER 
- SHELF RETAINING BAR 
- SIGN 
- TOP FRAME HANGER BAR 
- HANGER BAR 
- CRATE 
- BOTTLE HOLDER 
- BUMPERS 
- ORGANIZER 





www.steelite.com

America
154 Keystone Drive
New Castle, Pennsylvania 16105
toll free: 800-367-3493
Telephone: 724-856-4900
Fax: 724-856-7925
Email: usa@steelite.com

Canada
Unit 2, 26 Riviera Drive
Markham, Ontario L3R 5M1
Toll Free: 800-465-4284
Telephone: 905-752-1074
Fax: 905-752-1120
Email: canada@steelite.com

United Kingdom &
Republic of Ireland Steelite
International Ltd Orme
Street
Stoke-on-Trent
ST6 3RB
England
Telephone: +44 (0)1782 821 000
Fax: +44 (0)1782 819 926
Email: headoffice@steelite.com

Showrooms available by appointment:
Atlanta • Chicago • Cincinnati • Las Vegas
London, UK • Los Angeles • New York
Stoke-on-Trent • Toronto, ON • Washington, D.C.
Youngstown, OH

For more info
about
Canvas collection



US Patent no US010415618B2
US Patent no US009210998B2
More configurations can be found on our website.
Dimensions are approximated due to conversions.
The entire content is subject to misprints and errors.
Item No. S-CTL-PR-11-01



www.mogogo-buffet.com
info@mogogo-buffet.com



DISTRIBUTED BY:

CHECK OUT OUR OTHER COLLECTIONS



Cantine
DISPLAY CART



Roll'n
SERVICE CARTS



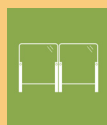
Modular
SYSTEM



Clix
TABLES



Grabit
SIDE TABLES



V-Shield
SYSTEM



PoLo
TABLES