

GUARD Hygienic Shield ,Counter'



GUARD Hygienic Shield ,Counter'

Safe protection for every sales- and advice desk!

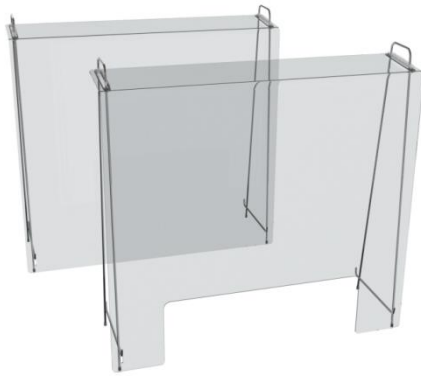
Hygienic, break resistant and flexibly applicable. Suitable for bakeries, medical practice, pharmacies, gas stations and many other service-points. A safe feeling for the customer and the employees behind the desk.

FRILICH offers the hygiene screen with and without service hatch.

Easy to assemble: The clear plastic cover is put over the wire base and hooked in. Non-slip rubber feet provide a firm stand on the desk.

The big advantage: In a different way from other acrylic- or plexiglass screens, the used material can be cleaned with glass cleaner.

GUARD Hygienic Shield ,Counter 900'

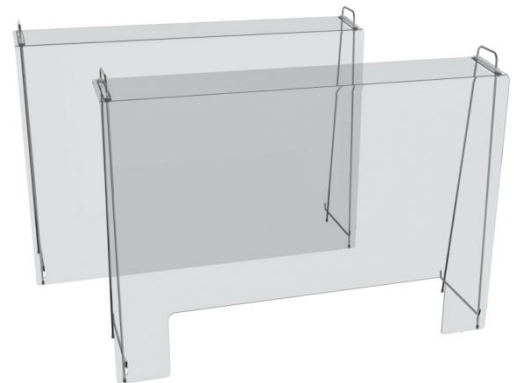


EB 738 E without service hatch
EB 738 E 001 with service hatch (600 x 200 mm)

H: 865, W: 900 mm; D: 250 mm



GUARD Hygienic Shield ,Counter 1150'



EB 739 E without service hatch
EB 739 E 001 with service hatch (850 x 200 mm)

H: 865, W: 1150 mm; D: 250 mm

GUARD Hygienic Shield ,Counter 007'



Custom-made versions are possible: Widths from 0,5 until maximum 2 meters. Service hatches can be customized in shape and size.

Ask your FRILICH Team!