

Portable Dance Floors

OUTLOK | FLORLOK



Features

out lok[®]

flor lok[®]

INDOOR	✓	✓
OUTDOOR	✓	
BRICK WORK DESIGN	✓	✓
FRAME SUBSTRATE	ABS Plastic	Aluminum/Plywood
SURFACE	Vinyl/Acrylic	Hardwood
AVAILABLE FINISHES	Auckland Oak/Bracken/ Ebony Oak/ Distressed Oak/Vintage Pine/	Light Oak Parquet/ Smoked Oak Parquet/ Jatoba Parquet
TRIM (Natural Aluminum is standard. All other finishes are subject to upcharge.)	Natural Aluminum/ Black or Gold Anodized	Natural Aluminum/ Gold Anodized
TRIM SIZE	4"W	5"W
FULL PANEL SIZE	34" x 34"	34" x 34"
HALF PANEL SIZE	34" x 17"	34" x 17"
TRANSPORT CART AVAILABLE	Holds 15' x 15' Cart: 44" x 26" x 50" - 163lbs	Holds 15' x 15' Cart: 44" x 26" x 50" - 163lbs
MIN-MAX SIZE	6' x 6' - 48' x 48'	6' x 6' - 48' x 48'
NO TOOLS REQUIRED	✓	✓
WHEELCHAIR ACCESSIBLE	✓	✓
WIPE CLEAN SURFACE	✓	✓
3 YEAR WARRANTY	✓	✓
RIBBED BATTENS ON REAR OF PANELS		✓
LACQUERED PLYWOOD BASE		✓
WATERPROOF	✓	
PRESSURE WASH TOLERANT	✓	
ENVIRONMENTALLY FRIENDLY/RECYCLABLE	✓	

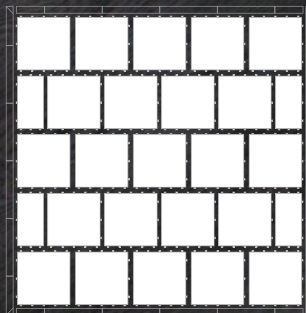
Built with durability and beauty in mind, Forbes' Portable Dance Floors stand up to heavy use while maintaining their original strength and luster. Our interlocking dance floor panels are available in a variety of sizes, finishes, and substrates depending on your needs. These portable dance floors are ideal for hotels, restaurants, clubs, caterers, convention centers, event organizers, venues, trade shows and weddings.

Learn more at: www.forbesindustries.com/dancefloors

FEATURES - BENEFITS

- Two unique styles are available to fit your needs - Outlok, Florlok
- No screws or tools required - quick and easy set up and tear down
- Innovative brickwork design offers strength and ensures that panel edges are fully secured
- Both styles are configured of both full and half panel sizes making them lightweight and easy to handle
- Most floors can be set up in approximately 10 minutes and removed in about 8 minutes
- Low-profile and sloped edging - wheelchair accessible
- Wipe-clean surface - very low maintenance and easy to clean
- Durable dance floor - long lasting for better return on investment (ROI)
- 3-Year warranty on manufacturing, labor and materials
- Specially engineered powder-coated transport/storage carts are available making setup and tear-down a breeze
- Each cart is specifically manufactured to fit through standard single width doorways

Innovative Brickwork Design

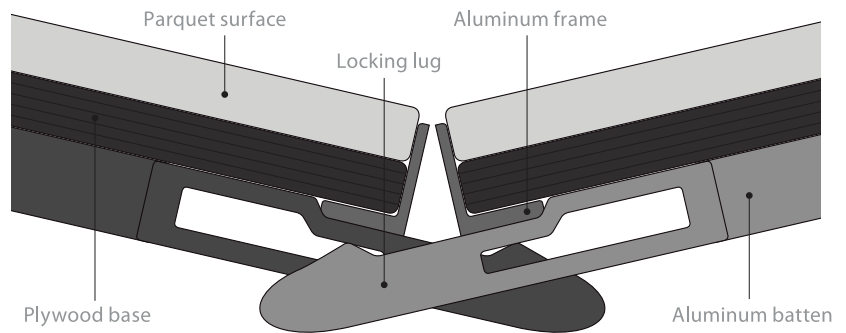


PORTABLE DANCE FLOORS



INDOOR USE

- Panels are manufactured with aluminum frames, ribbed battens and 7mm basket wood parquet
- Three different finishes top coated in a clear UV lacquer for extra protection
- No stain on the finish - same color throughout each piece of wood
- Comprised of two panel sizes, 34" x 34" (full panel) and 34" x 17" (half panel)
- Two trim color options to tie it all together
- Transport/storage carts are available for quick and effortless transport and storage
- Each cart holds a 15' x 15' complete dance floor (Cart: 44" x 26" x 50" - 163lbs)

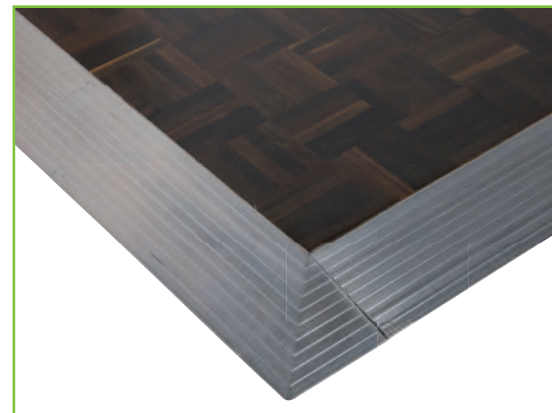
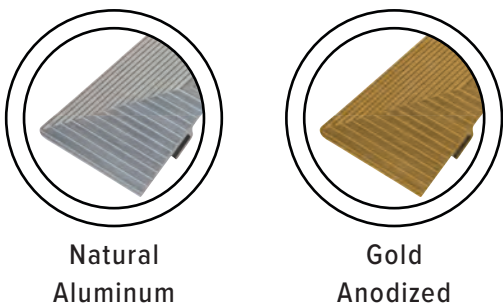


FINISH OPTIONS



TRIM OPTIONS - 5" AVAILABLE

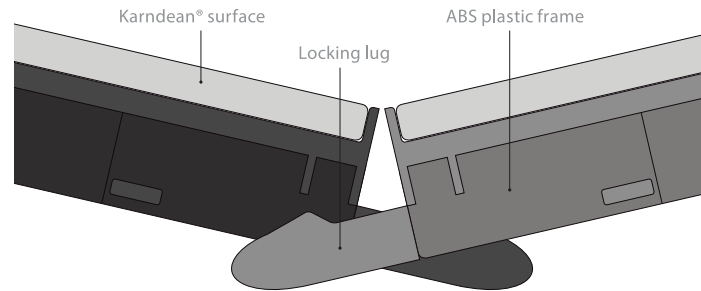
Natural Aluminum is standard. All other finishes are subject to upcharge.





OUTDOOR AND INDOOR USE

- Panels are manufactured using ABS plastic which offers strength and rigidity
- It is available with your choice of six different Karndean® commercial grade vinyl options
- Comprised of two panel sizes, 34" x 34" (full panel) and 34" x 17" (half panel)
- Structured rear panel - aids grip on carpets
- ABS plastic panel and inlay - 100% waterproof and recyclable
- Three trim options to tie it all together
- Transport/storage carts are available for quick and effortless transport and storage
- Each cart holds a 15' x 15' complete dance floor (Cart: 44" x 26" x 50" - 163lbs)



FINISH OPTIONS



TRIM OPTIONS- 4" AVAILABLE

Natural Aluminum is standard. All other finishes are subject to upcharge.

